

TECHNICAL DATA

		D 100 AHA COMPACT	D 100 AHA	D 100 AHG
GENERAL		UNIT		
Unloading system	-	High	High	Rotating
Load capacity	kg	1000	1000	1000
Chassis	-	Articulated and oscillating		
Water hopper capacity	l	345	345	325
Level hopper capacity	l	395	395	390
Heaped hopper capacity	l	565	565	545
Empty weight	kg	1300	1300	1300
Transmission	-	Hydrostatic		
ENGINE				
Brand	-	KUBOTA		
Model	-	D1105-E4B		
Power	kW	15.6		
Operating speed	rpm	2400		
Torque	N·m@rpm	71.4@1600		
No. of cylinders	-	3		
Emissions	-	EPA Tier4, Stage V		
Noise	dB(A)	101		
DRIVING				
Max. speed	km/h	15	15	15
Maximum gradient	%	38	38	38
External turning radius	mm	3060	3060	3035
Traction	-	4x4	4x4	4x4
Tyres	-	6.5/80-12	27x8.5-15	27x8.5-15
HYDRAULIC SYSTEM				
Hydraulic circuit	-	8 cc gear pump		
Flow rate	l/min	17,28	17,28	17,28
Working pressure	bar	180	180	180
TANK CAPACITY				
Fuel	l	23	23	23
Hydraulic system	l	21.2	21.2	21.2
BRAKES				
Service	-	Sealed brakes with multiple discs in oil. Mechanical drive		
Parking	-	Sealed brakes with multiple discs in oil. Mechanical drive		



FINANCE

Our aim is to provide high-quality finance services to help our customers to prosper. Therefore, in AUSA Finance we have the best finance solutions, tailored to you: personalised payment plans, leasing, renting, etc. In AUSA Finance we have a team of experts who will find the best finance solution to meet your business needs, making every step as simple as possible to ensure that you quickly have your new machine, ready for work.

	D 120 AHA	D 120 AHG	D 150 AHA	D 150 AHG	D 250 AHG	D 350 AHG	D 450 AHG
High	Rotating	High	Rotating	Rotating	Rotating	Rotating	Rotating
1200	1200	1500	1500	2500	3500	4500	
Articulated and oscillating							
425	415	605	520	720	1020	1370	
515	495	681	626	1330	1790	2055	
700	695	841	900	1560	2130	2670	
1375	1375	1510	1510	2650	2780	2970	
Hydrostatic							
KUBOTA				KUBOTA			
D1105-E4B				V2403M-E3B			
15.6				36.5			
2400				2700			
71.4@1600				160@1600			
3				4			
EPA Tier4, Stage V				EPA Tier4i, Stage IIIA			
101				101			
17	17	14	14	21	21	21	
48	48	40	40	70	54	35	
3125	3095	3260	3260	4300	4515	4830	
4x4	4x4	4x4	4x4	4x4	4x4	4x4	
10.0/75-15.3	10.0/75-15.3	10.0/75-15.3	10.0/75-15.3	10.0/75-15.3	11.5/80-15.3	12.0/75-18	
8 cc gear pump				12 cc gear pump			
17,28	17,28	17,28	17,28	31,2	31,2	31,2	
180	180	180	180	170	170	170	
23	23	23	23	44	44	44	
21.2	21.2	21.2	21.2	40	40	40	
Sealed brakes. Mechanical drive				Sealed brakes. Hydraulic drive			
Sealed brakes. Mechanical drive							



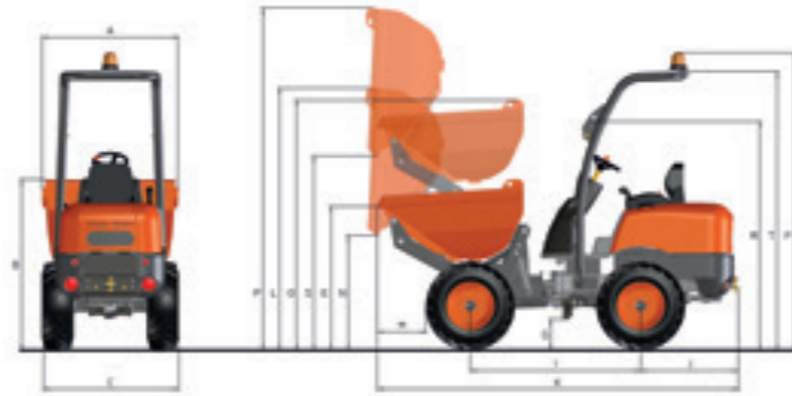
TECHNICAL SUPPORT

We know that your machine should be running when you need it and with minimal operating costs. With a network of over 500 AUSA dealers across the world, we make sure that, if you have any unexpected problems, you always have someone nearby, ready to help.

Also, if you want, you can request a maintenance contract that best suits your intended use of your new equipment.

DIMENSIONS

D 100 AHA / D 120 AHA / D 150 AHA

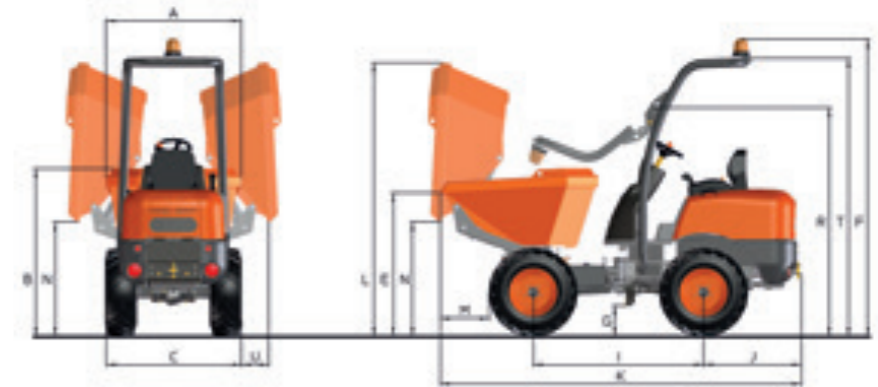


D 250 AHG / D 350 AHG / D 450 AHG

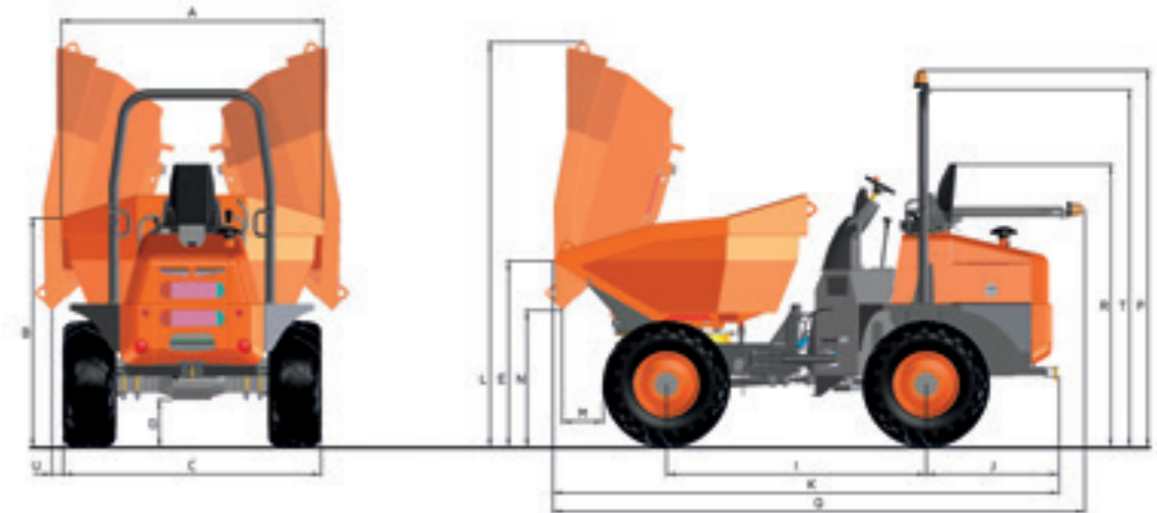


	D 100 AHA / COMPACT	D 100 AHG	D 120 AHA	D 120 AHG	D 150 AHA	D 150 AHG	D 250 AHG
DIMENSIONS							
A	990	990	1180	1190	1395	1390	1503
B	1440	1420	1490	1470	1490	1475	1694
C	1100 / 990	1100	1200	1195	1480	1470	1770
E	1200	1200	1255	1255	1265	1260	1380
F	2560	2560	2610	2610	2610	2560	2905
G	220	220	270	270	265	250	230
I	1500	1500	1500	1500	1500	1600	1960
J	860	860	860	860	860	860	1040
K	3190	3190	3190	3190	3180	3245	4035
L	2250	2350	2300	2400	2300	2500	3080
M	485	485	460	450	420	450	565
N	955	955	1000	1000	1000	1010	970
O	2145	-	2195	-	2195	-	-
P	2950	-	3000	-	3000	-	-
Q	-	-	-	-	-	-	4465
R	1955	1955	2000	2000	2005	1990	1909
S	1655	-	1710	-	1705	-	-
T	2390	2390	2440	2440	2440	2425	2740
U	-	300	-	260	-	115	285

D 100 AHG / D 120 AHG / D 150 AHG



D 601 AHG / D 600 AP / D 600 APG / D 1000 AP / D 1000 APG



	D 350 AHG	D 450 AHG	D 601 AHG	D 600 AP/PLUS	D 600 APG/PLUS	D 1000 AP/PLUS	D 1000 APG/PLUS
A	1852	1866	2197	2295	2140	2455	2475
B	1730	1838	2103	1920	2080	2360	2340
C	1845	1865	2206	2170	2170	2425	2425
E	1435	1635	1736	1635	1680	1660	1715
F	2930	2935	3428	3130	3130	3500	3515
G	255	260	370	430	430	410	410
I	1960	1960	2490	2450	2450	2450	2450
J	1040	1040	1340	1185	1185	1250	1250
K	4180	4390	4910	4525	4640	4565	4775
L	3085	3150	3634	2640	3575	2675	3780
M	565	770	574	650	390	720	455
N	920	735	1212	410	1180	455	1315
O	-	-	-	-	-	-	-
P	-	-	-	-	-	-	-
Q	4605	4820	5413	4580	4695	4790	5015
R	1930	1935	2232	2145	2145	2515	2515
S	-	-	-	-	-	-	-
T	2765	2765	3256	2965 (2850*)	2965 (2850*)	3330 (3205*)	3330 (3205*)
U	320	515	102	-	50	-	84

* With closed cab